

# BOLT BAG #41173

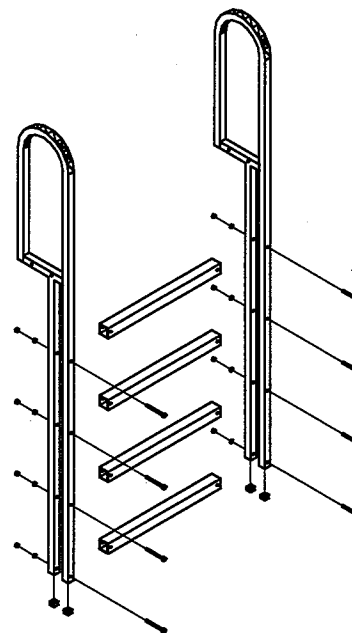
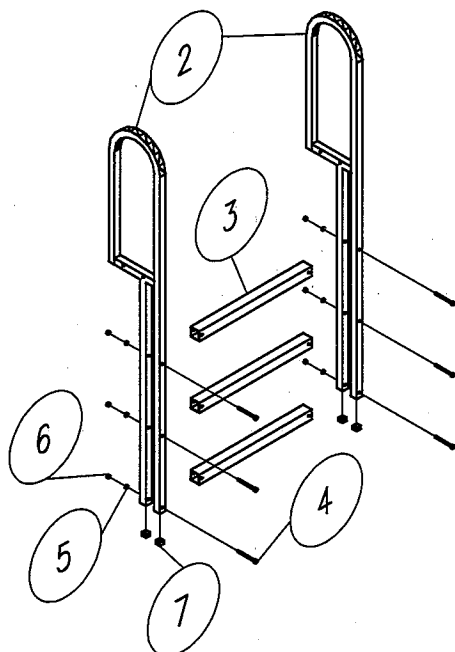
## #1049AWF/1050AWF

### ALUM LADDER

### WIDE FIVE



955 INDUSTRIAL ST. N.E. PINE CITY, MN 55063  
 320-629-6737 (OFFICE) 320-629-3677 (FAX)  
 www.dakadock.com



#### ASSEMBLY INSTRUCTIONS FOR 3 AND 4 RUNG ALUMINUM LADDER

1. Slide rungs (Key 3) into ladder side frames (Key 2) watching so holes line up.
2. Use 1/4 x 3-3/4 machine screws/bolts (Key 4), flat washers (Key 5) and cap nuts (Key 6) to secure rungs to front of ladder. NOTE: Head of bolts to front of ladder, flat washers and cap nuts to rear (inside) of ladder. Tighten nuts.
3. Install plastic caps (Key 7) in bottom of side frame.

| KEY# | DESCRIPTION                       | PART#             | QUANTITY |
|------|-----------------------------------|-------------------|----------|
| 1.   | 3 RUNG LADDER / 4 RUNG LADDER     | 1049A/1050A       | 1        |
| 2.   | LADDER SIDE FRAME 3 RUNG / 4 RUNG | 80831049/80831048 | 2        |
| 3.   | LADDER RUNG                       | 80830916          | 3 OR 4   |
|      | BOLT BAG                          | 41173             |          |
| 4.   | MACHINE SCREW 1/4" X 3 3/4"       | SCM14334          | 8        |
| 5.   | FLAT WASHER                       | FW14SAE           | 8        |
| 6.   | CAP NUT 1/4"                      | CPN14             | 6 OR 8   |
| 7.   | PLASTIC CAPS                      | 82831165          | 8        |
| 8.   | MOUNTING TUBE                     | 80830906          | 2        |
| 9.   | MOUNTING BRACKET                  | 80830907          | 4        |
| 10.  | MACHINE SCREW 1/4" X 1 1/2"       | SCM14112          | 4        |
| 11.  | FLANGE NUT 1/4"                   | FLN14             | 4        |
| 12.  | CLEVIS PIN 3/8" X 2 1/4"          | CLP38214          | 2        |
| 13.  | SPRING CLIP FOR 3/8" CP11         | 80831100          | 2        |
| 14.  | INSTRUCTIONS                      | 66831049A         | 1        |
| 15.  | PLASTIC BAG 7X15                  | 69680010          | 1        |

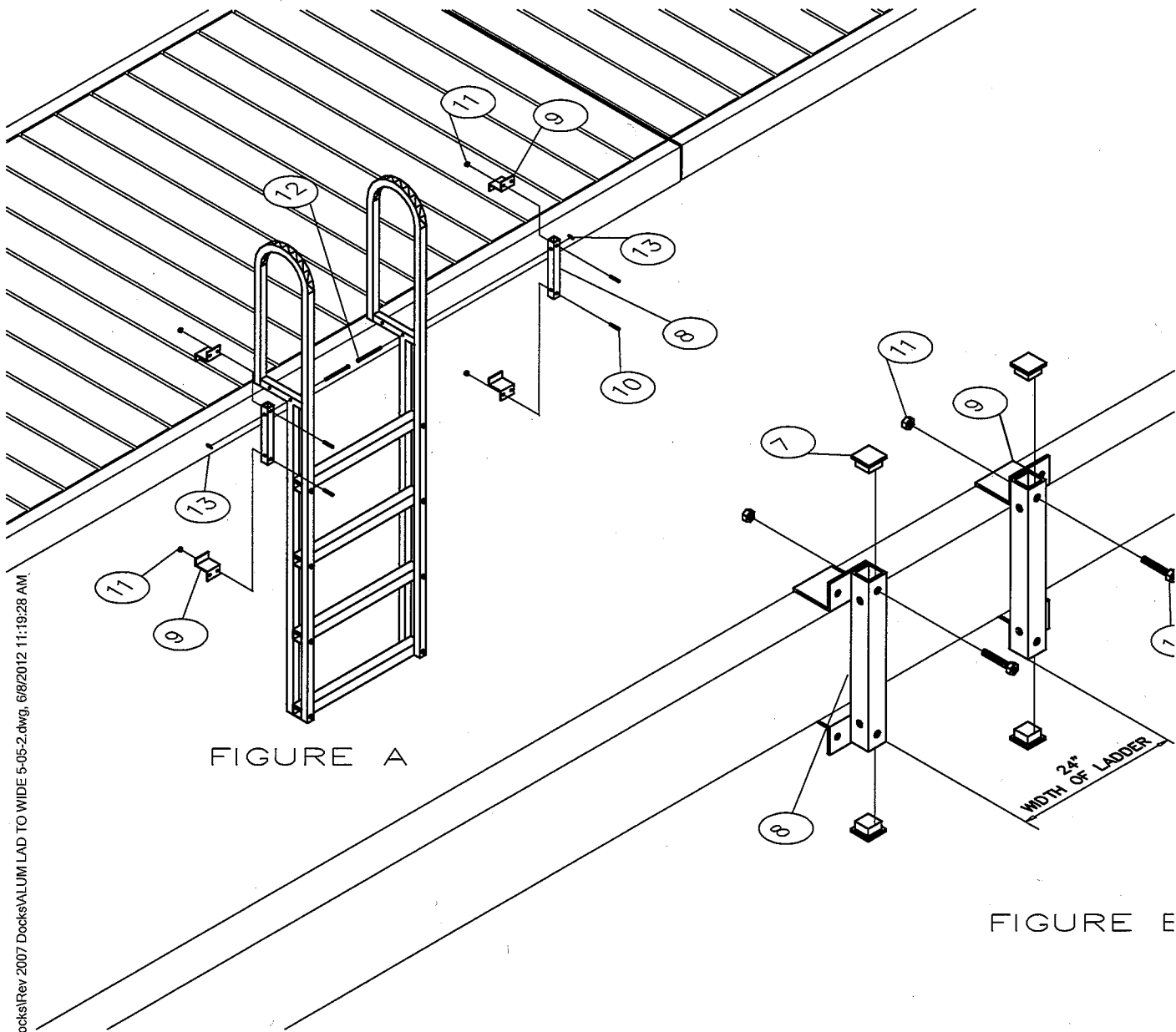


FIGURE A

FIGURE E

**MOUNTING 3 OR 4 RUNG LADDER TO WIDE FIVE SECTIONAL DOCK**

1. Install plastic caps (Key 7) in mounting tubes (Key 8).
2. Faster ladder mounting tubes (Key 8) to side of dock with brackets (Key 9), machine screws (Key 10), and flange nuts (Key 11). See Figure B.
3. Attach ladder to mounting tubes (Key 8) with pins (Key 12) and spring clip (Key 13).

**MAINTENANCE**

1. Whenever ladder is out of the water, routinely clean ladder rungs to reduce slipperiness.
2. The ladder is designed for easy removal and install. It should be removed when not in use for long periods. We recommend removing ladder before removing dock from water; this will help reduce chances of ladder being damaged due to ground clearance issues.

Annually inspect all nuts and bolts for deterioration and tightness. Replace and/or tighten if necessary