

BOLT BAG #41163

#1056CG/TG

**GALVANIZED
CORNER SECTION**

CORNER SECTION
1056C, 1056CG, 1056TG



955 INDUSTRIAL ST. N.E, PINE CITY, MN 55063
OFFICE: 320-629-6737 FAX: 320-629-3677
www.dakadock.com

PLATFORM - 8' L X 8' W

L/T - 4' L X 8' W

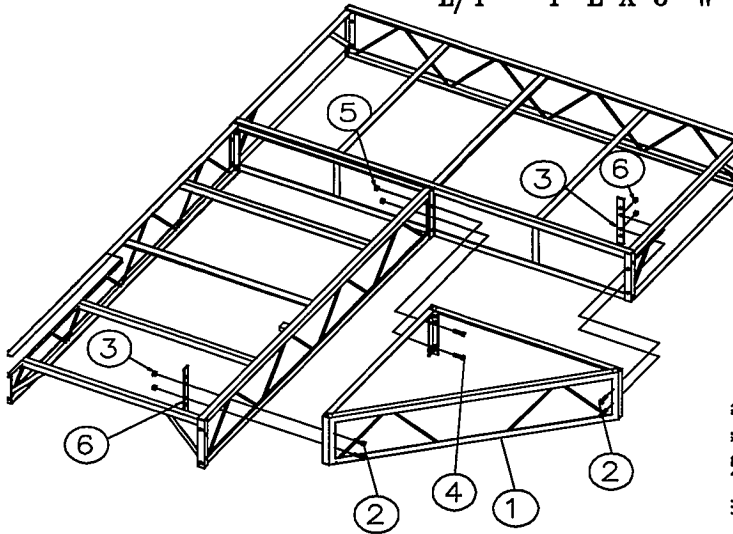


FIGURE A

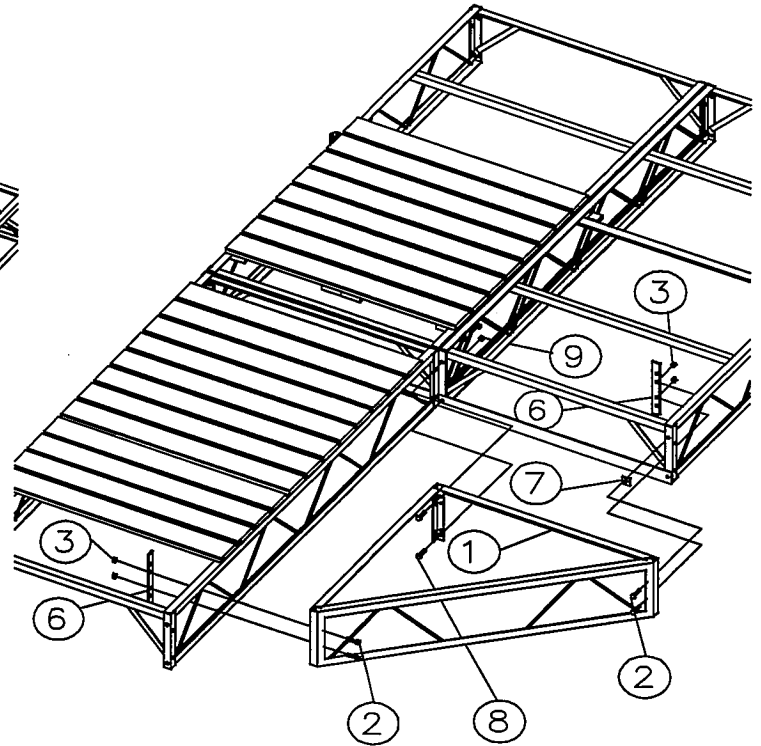


FIGURE B

KEY#	DESCRIPTION	PART#	QUANTITY
1.	FRAME ASSEMBLY	1056G	1
	BOLT BAG	41163	1
2.	HEX BOLT 1/2"X2" THREAD TO HEAD	HBTH122	4
3.	HEX NUT 1/2"	HN12	4
4.	HEX BOLT 5/16"X1 1/4"	HB516114	2
5.	FLANGE NUT 5/16"	FLN516	2
6.	BOLTING PLATE	80837107	1
7.	SPACER (IF NEEDED ON PLATFORM DOCK ONLY)	80832010	1
8.	HEX BOLT 1/2"X1 1/2" EXISTING	HB12114	2
9.	HEX NUT EXISTING	HN12	2
10.	INSTRUCTIONS	66881056	1
11.	PLASTIC BAG 7"X15"	69680010	1

ASSEMBLY INSTRUCTIONS - PAINTED/GALVANIZED CORNER SECTION

1. Corner sections installations should be done after dock frame has been fully assembled.
2. If installing corner section on "L/T" type dock, reference Figure A. "L/T" type dock being 4' long x 8' wide.
3. If installing corner section on "platform" type deck, reference Figure B. "Platform" type dock being 8' long x 8' wide.
4. Hold frame assembly and bolt inside corner first. When installing on "L/T" type dock use the two $\frac{5}{16}$ " x $1\frac{1}{4}$ " hex bolts (key 4) with the two $\frac{5}{16}$ " flange nuts (key 5) to secure the inside corner. When installing on "Platform" type dock, first you must remove the two existing $\frac{1}{2}$ " x $1\frac{1}{2}$ " hex bolts (key 8) from the inside corner. These two $\frac{1}{2}$ " x $1\frac{1}{2}$ " hex bolts (key 8) are then re-installed through corner section frame assembly to secure inside corner of the frame assembly.