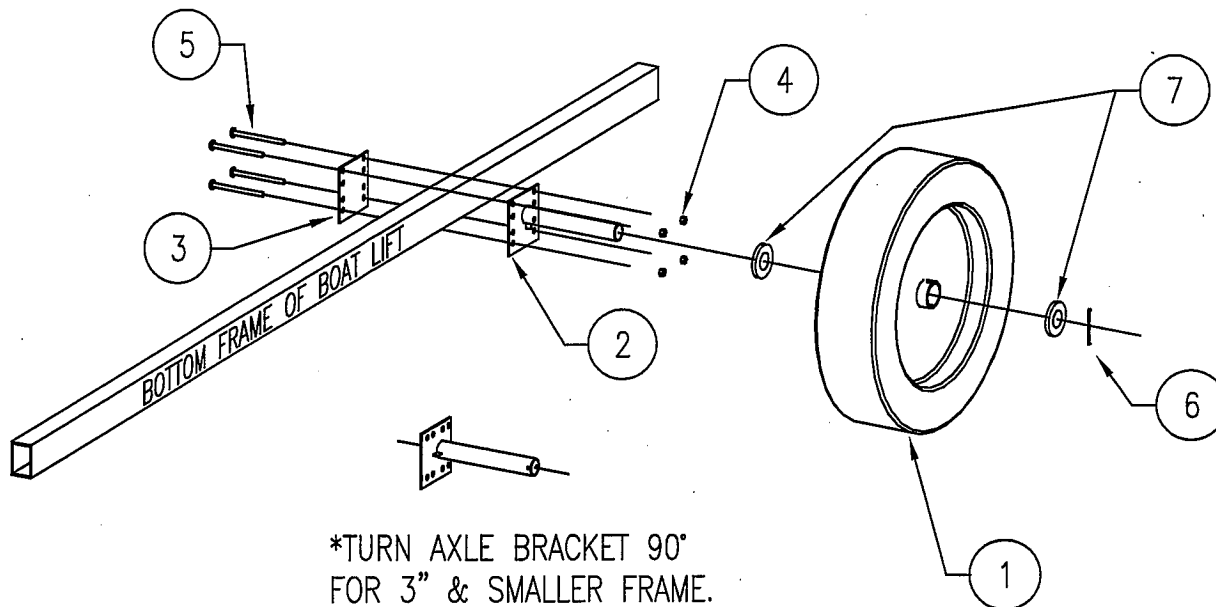


# BOLT BAG #41195 #2020 STATIONARY WHEEL KIT ASSEMBLY FOR BOAT LIFT



955 INDUSTRIAL STREET N.E. PINE CITY, MN 55063  
320-629-6737 (OFFICE) • 320-629-3677 (FAX)  
www.dakadock.com

BOLT TO SIDE OF FRAME AS SHOWN\*



\*TURN AXLE BRACKET 90°  
FOR 3" & SMALLER FRAME.

NOTE: PLASTIC WHEELS MUST BE REMOVED AFTER LIFT HAS BEEN INSTALLED IN LAKE. AXLE BRACKETS CAN BE MOUNTED TO INSIDE OR OUTSIDE OF FRAME, OR ONE IN AND ONE OUT, AS YOUR CONDITION REQUIRES. MAKE SURE WHEEL SYSTEM DOES NOT INTERFERE WITH LIFT OPERATION.

KEY #	DESCRIPTION	PART #	QUANTITY
1.	PLASTIC WHEEL	42150	2
2.	AXLE BRACKET	48050	2
	BOLT BAG	41195	1
3.	BACKER PLATE	83831071	2
4.	CARRIAGE BOLTS 3/8" x 4 1/2"	CB38412	8
5.	FLANGE NUT 3/8"	FLN 38	8
6.	COTTER PIN 1/4" x 2 1/2"	CP14212	2
7.	2" WASHER	61840021	4
8.	INSTRUCTIONS	66882020	1
9.	PLASTIC BAG (7x15x6mil)	69680010	1



## ASSEMBLY INSTRUCTIONS

### #2020 STATIONARY WHEEL KIT FOR BOAT LIFT 41195 and 41295 Bolt Bag

1. Mount axle bracket (Key 2) to bottom side frame tube. Axle and wheels usually will be to the outside of lift so that they do not interfere with lift operation.  
NOTE: If axle and wheel will be toward the center of lift, wheels will have to be removed to provide clearance for boat. *Make sure there is proper clearance around brackets and mounting hardware.*
2. The bolting plates (Key 3) are rectangular and have multiple holes to help ensure that mounting bolts fit tightly against side frame tube. When mounting on tubing 3" or less in height, always make sure plates lay horizontally. On side frame tubes 3" and larger, bolting plates will stand up so that slotted holes run vertically (up and down). Remember to always place mounting bolts (Key 4) in holes so that bolts are as tight as possible against tube.

**CAUTION:** To prevent wheels from floating dock or lift, drill eight (8)  $\frac{3}{8}$ " diameter holes in plastic wheel in the side wall near tread pattern. This allows wheel to fill with water for submersion in water and also to drain for removal from water.

**CAUTION:** *Plastic wheel must be removed after lift has been installed in lake.* To ease removal and installation of plastic wheel while lift is in the water, drill eight (8)  $\frac{3}{8}$ " diameter holes in plastic wheel in side wall near tread pattern. This allows wheel to fill with water for submersion in water and also to drain for removal from water.

**CAUTION:** This wheel system is not designed or intended to support a lift while loaded with boat weight. **The total weight of the lift and its load must rest on the boat lift foot pads.**