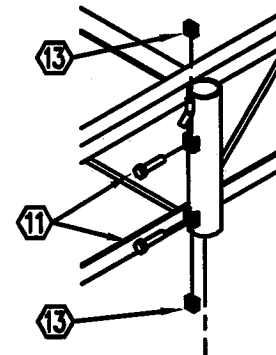
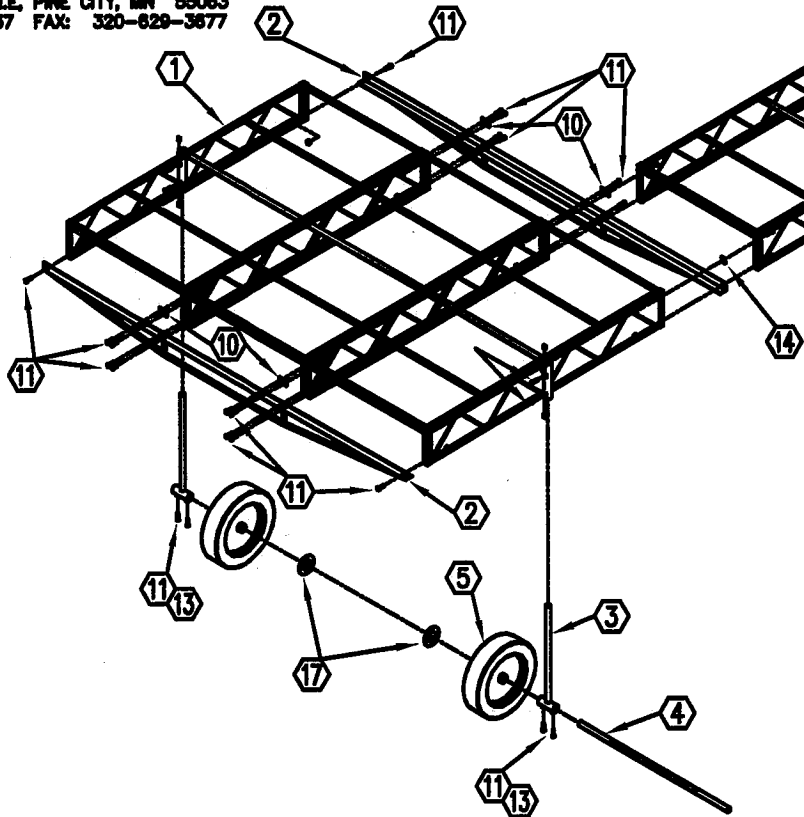


# #960CG/TG GALV. SUPER PLATFORM END SECTION



955 INDUSTRIAL ST. N.E. PINE CITY, MN 55083  
OFFICE: 320-829-8737 FAX: 320-829-3877  
www.dakadock.com



DETAIL A

KEY#	DESCRIPTION	PART #	QUANTITY
1	FRAME ASSEMBLY 12'W x 8'L	960P/960G (955P/940P)/(955G/940G)	1
1A	DECKING PANEL - CEDAR/TITAN	10480 (P/G) /10580 (G)	6
2	SUPER PLATFORM BRACKET 12'	45710/45711	2
3	WHEEL UPRIGHT 7' LONG-SCH 80	42002	2
4	AXLE 154"	80831045	1
5	PLASTIC WHEEL	42150	2
6	ANTI-SWAY KIT	1061	1
7	STABILIZER SLEEVES, PAIR	1038/1038G	1
8	STABILIZER POLES, PAIR	1045	1
9	FOOT PADS, PAIR	1007/1007G	1
	<b>BOLT BAG</b>	41149/41147	1
10	CONNECTION PLATE	80830337/80830338	4
11	HEX BOLT 1/2" x 1-1/2" ZINC	HB12112	29
12	HEX NUT 1/2" ZINC	HN12	21
13	SQUARE NUT 1/2" ZINC	NS12	8
14	SPACER	80830334/80830336	1
15,16	NO.'S NOT USED		
17	3" WASHER	61840021	2
18	SAFETY CAPS 1-1/4" WHITE VINYL	82831250	2
19	SAFETY CAPS 1-1/2" WHITE VINYL	82831500	2
20	INSTRUCTION MANUAL	66880960	1-4
21	CAUTION LABEL	65820701	1
22	PLASTIC BAG 6" x 10"	69660027	1



## ASSEMBLY INSTRUCTIONS

### 960C, 960CG/TG, 960CA/AA/TA SUPER PLATFORM WHEEL END SECTION (PAINTED / GALVANIZED / ALUMINUM)

1. The assembly of the super platform wheel end section is usually left until the final step in DAKA Dock assembly. The standard sections should first be joined together. Once this has been done, the super platform wheel end section can be assembled.
2. With the frame assembly (Key 1) lying on a flat level surface, mount one super platform bracket (Key 2) to each end using six 1/2" x 1 1/2" hex bolts (Key 11) and six 1/2" hex nuts (Key 12).
3. Mount connection plates (Key 10) using 8 hex bolts 1/2" x 1 1/2" (Key 10) and 8 hex nuts 1/2" (Key 12).  
**See Detail A. NOTE: If assembling painted or galvanized, skip to Step 5.**
4. **ALUMINUM ONLY:** Insert four 5/16" x 1 1/4" hex bolts (Key 15) with 5/16" flange nuts (Key 16). **See Detail B.**
5. Stand the super platform end section on its end. While holding the section, slide either upright (Key 3) into the sleeve assembly on the side of the super platform end section. Insert two 1/2" square nuts (Key 13) into nut cages on the side of the sleeve assembly. Install two hex bolts 1/2" x 1 1/2" (Key 11) in the square nut in nut cage. Repeat on the other side of section.
6. Continue holding the super platform end section in the standing position. Slide the axle (Key 4) through one base sleeve on the end of one upright pole (Key 3). Place one plastic wheel onto the axle. Then install two 3" washers (Key 17) onto axle. Install the second plastic wheel onto the axle. Now insert other end of axle through opposite base sleeve on the end of other upright. Insert four 1/2" square nuts (Key 13) into nut cages on the base sleeves. Next insert four hex bolts 1/2" x 1 1/2" (Key 11) in the square nut in nut cage. Before tightening, make sure that the ends of the axle are even with outside of the base sleeves and that the holes in the axle are in positions so that when installing the anti-sway kit bolts, they will be in a vertical position. Tighten the four set bolts on base sleeves.
7. Move each wheel assembly (Key 5) out next to the upright base sleeve. Using two 1/4" x 2 3/4" hex bolts from the anti-sway kit bag, attach one end of each piece of chain to the holes that are in the axle, inboard the wheels. Attach the other end of chain to the chain holder, located on opposite side upright sleeve assembly.
8. Before lowering onto wheels, make sure to tighten set bolts on upright sleeve assembly. Lower section onto wheel assembly. Roll section into place and attach to other standard section.  
**Note the use of the spacer (Key 14) that keeps elements square and level.**
9. The chains will need to be tightened after the dock has been rolled into the lake. With the dock level to the water, lower the platform end section 4" to 8" using a DAKA Winch Set part #1037 available from your DAKA Dock dealer or directly from DAKA. With the dock in the lowered position, reattach chains to the chain holder. Raise the dock 4" to 8", which will tighten the chains and help stabilize the dock.

**CAUTION:** Always tighten upright sleeve height adjustment bolts firmly to prevent dock from slipping down uprights. If height adjustment winches are used, it is still necessary to tighten both bolts on upright sleeve after each adjustment.

**CAUTION:** Always lower dock to lowest possible position before pulling out of water to help wheel upright posts from bending.

**CAUTION:** To prevent wheels from floating dock or lift, drill eight (8) 3/8" diameter holes in plastic wheel in the side wall near tread pattern. This allows wheel to fill with water for submersion in water and also to drain for removal from water.

#### **CEDAR DECK FINISHING AND MAINTENANCE:**

Cedar is best finished and refinished with a transparent, penetrating water-repellant preservative that contain ultraviolet light absorbers or blockers to protect against sunlight and mildewcides to prevent darkening or graying from mildew growth. The next best cedar deck finish is the pigmented penetrating semi-transparent stains. Contact your local home improvement center, hardware or lumber yard for recommendations. Cedar decks should be inspected and cleaned annually. Avoid the use of power-washing as this can damage the surface of the cedar.



**WARNING:**

- ALL STEEL DAKA DOCKS UP TO 32' LONG AND ALL ALUMINUM DAKA DOCKS UP TO 24' LONG MAY BE INSTALLED WITHOUT STABILIZER PIPES FOR USE WITH SMALL BOATS AND IN LOW-WAVE AND WIND CONDITIONS.
- IF DOCK IS TO BE USED WITH ANY PONTOON BOAT OR SPORT BOAT IN HIGH WIND OR WAVE AREAS, THE USE OF STABILIZER PIPES AT EACH SECTION JOINT IS **MANDATORY**. STABILIZER SETS #1038SS (PAINTED) OR #1038SSG (GALVANIZED) ARE AVAILABLE FOR THIS PURPOSE THROUGH YOUR DEALER.
- THE USE OF A SINGLE WHEEL SET IS PERMITTED ON DOCKS UP TO 40' LONG. BEYOND 40', DOCK MUST HAVE WHEEL SETS LOCATED NO MORE THAN 40' APART, WITH HINGE SET #1040 (PAINTED) OR #1040GA (GALVANIZED) JOINING WHEELED SECTIONS TO NEXT PLAIN SECTION. (SEE FIGURE A).
- FAILURE TO INSTALL STABILIZER PIPES, ADDITIONAL WHEEL SETS AND HINGE SETS CAN CAUSE DAMAGE TO DOCK COMPONENTS AND POSSIBLE PERSONAL INJURY. (SEE FIGURE A).

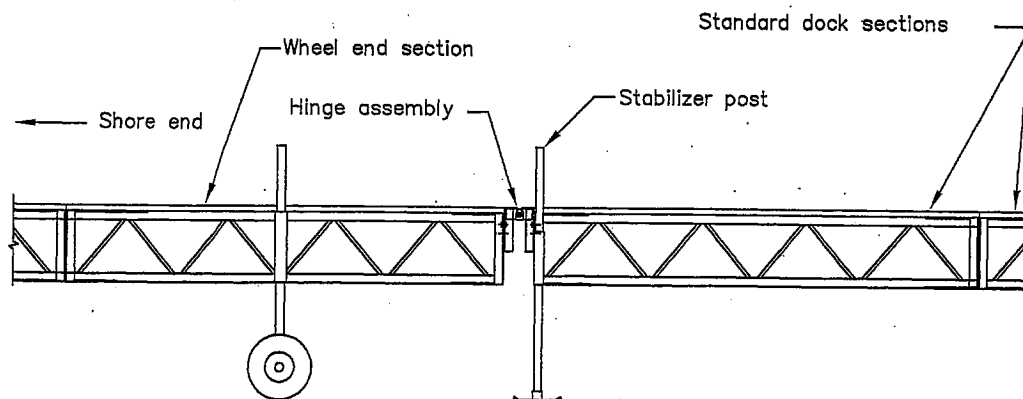


FIGURE "A"



## LIMITED WARRANTY

DAKA Corporation warrants its boat docks and boat lift components purchased new by the original owner to be free of defects in material or workmanship, from the date of sale for the periods of time set forth below:

- New DAKA-built aluminum boat docks and lifts carry a 15-year conditional warranty on all aluminum and aluminum welds, and a 5-year pro-rated warranty on canopy tops, excluding fading.
- New DAKA-built steel boat docks carry a 10-year conditional warranty on steel and steel welds. There is no warranty on paint and/or finish.

DAKA Corporation further warrants all other parts, excluding wood, used on DAKA-built lifts, boat docks and accessories, purchased new by original owner, to be free from defects in the material and workmanship under normal use for a period of 24 months from the date of purchase (excluding components and options which carry their own manufacturer's warranty, wherein that warranty will apply). Excluded from this warranty are all paint and/or finishes, and wood decking. There is no other expressed warranty. DAKA Corporation is not liable for incidental or consequential damages or injuries of any kind due to installation, removal, use, misuse, snow or ice, electrolysis, severe weather, acts of God, misapplication, or improper selection of one of our purchased or displayed products. DAKA agrees to repair or replace only defective parts returned to the factory (prepaid) and deemed defective by DAKA. Warranty is void when misuse or neglect is the cause. Specifications are subject to change without notice.

DAKA is not responsible for removal, dismantling or reinstallation cost. This warranty is void if the boat lift or dock is used in other-than-normal residential service, or installed in salt water. *For commercial boat dock and lift warranty, see Commercial Warranty.*

For services under this warranty, contact selling dealer or DAKA Corporation, Customer Service Department, 955 Industrial Street NE, Pine City, Minnesota 55063; Telephone (320) 629-6737.

Implied warranties including that of merchantability are expressly limited in duration of this warranty. DAKA Corporation disclaims any liability for incidental or improper selection, removal, use, misuse, misapplication, neglect or improper selection of our product. Some states do not allow limitations on how long an implied warranty lasts, or the exclusion or limitation of incidental or consequential damages so this limitation and exclusion may not apply to you.

This warranty gives you specific legal rights, and you may also have other rights, which vary from state to state.

This is our exclusive written warranty.



# **CAUTION!**

**TO HELP PREVENT BENDING  
WHEEL UPRIGHT POSTS,  
ALWAYS LOWER DOCK TO  
LOWEST POSSIBLE POSITION  
BEFORE PUSHING OR PULLING  
DOCK IN OR OUT OF WATER.**