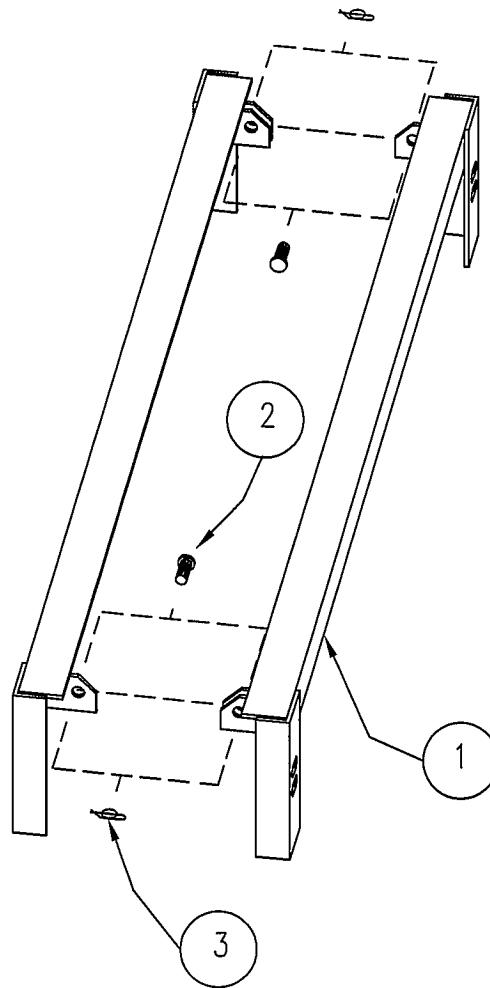


# #1040 PAINTED & #1040GA GALV. DOCK HINGE



955 INDUSTRIAL STREET N.E. PINE CITY, MINNESOTA 55063  
320-629-6737 (OFFICE) • 320-629-3677 (FAX)  
www.dakadock.com



KEY#	DESCRIPTION	PART#	QUANTITY
1.	DOCK HINGES (45600/45601) 2~EA.	1040/1040GA	1
2.	½" CLEVIS PINS	CLP12114	2
3.	½" LOCKING RING	CPRR12	2
4.	TIE STRAP, 15½"	82832000	1
5.	TIE STRAP, 8"	82832010	1
6.	INSTRUCTIONS FOR 1040/1040GA	66881040	1
7.	PLASTIC BAG 4X6X3 MIL	69680005	1

## DAKA #1040 PAINTED & #1040GA GALVANIZED DOCK HINGE

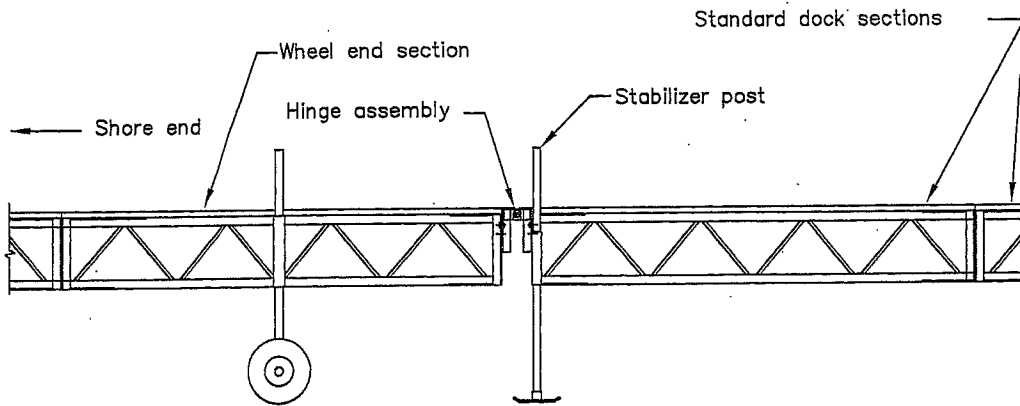


FIGURE "A"

### **ASSEMBLY INSTRUCTIONS**

Use existing 1/2" x 1 1/2" hex bolts to mount hinge assembly to upper holes only on ends of DAKA dock sections to be joined. The hinge assembly is designed to mount flush with the decking surface. By selecting the proper holes in the hinge assembly, the top of the hinge will be flush with the decking material. The top hole is for docks equipped with Aluminum and Titan decking. The bottom hole is for Cedar decking.

### **USE INSTRUCTIONS**

The hinge set is intended to join two or more complete wheeled docks together and must be used on a section with a wheel kit (other joined section need not have wheels). Use of the hinge kit provides easier movement of longer docks in and out of the water by allowing the dock to articulate over uneven surfaces.

### **CAUTION:**

**HINGE SET MUST ONLY BE INSTALLED ON DAKA DOCK SECTIONS AND IS DESIGNED TO JOIN A WHEEL-EQUIPPED SECTION TO A NON-WHEELED SECTION. A SET OF STABILIZER PIPES MUST BE INSTALLED AT THE HINGE END OF THE NON-WHEELED SECTION TO PROVIDE EXTRA SUPPORT. (SEE FIGURE "A" ABOVE)**

### **WARNING:**

**FAILURE TO USE STABILIZER PIPES AS DIRECTED ABOVE COULD CAUSE FAILURE OF DOCK COMPONENTS AND POSSIBLE PERSONAL INJURY.**