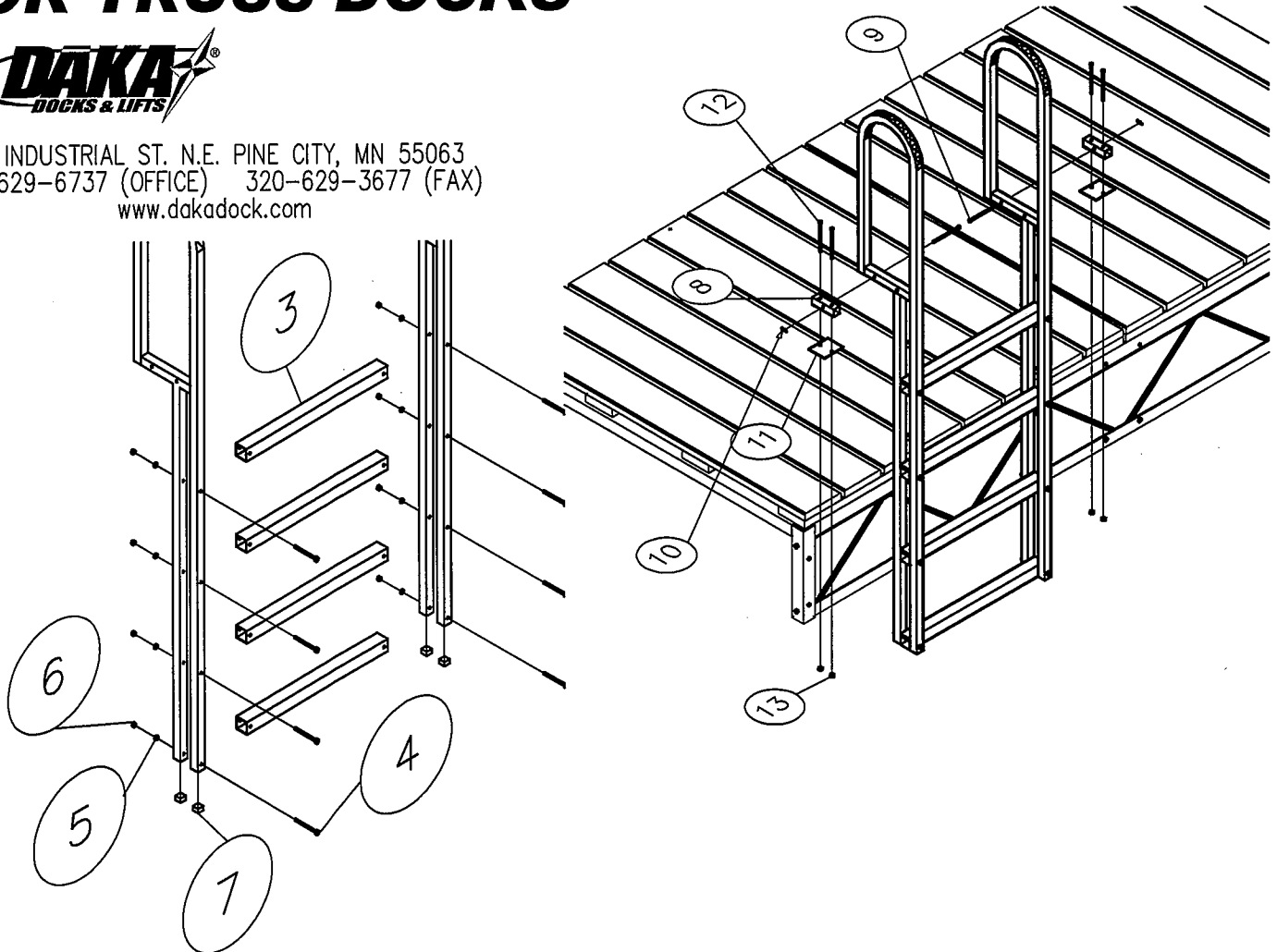


BOLT BAG #41170 #1049AJS/1050AJS ALUMINUM LADDER ASSEMBLY FOR TRUSS DOCKS



955 INDUSTRIAL ST. N.E. PINE CITY, MN 55063
320-629-6737 (OFFICE) 320-629-3677 (FAX)
www.dakadock.com



KEY#	DESCRIPTION	PART#	QUANTITY
1.	3 RUNG LADDER / 4 RUNG LADDER	1049A/1050A	1
2.	LADDER SIDE FRAME 3 RUNG / 4 RUNG	80831049/80831048	2
3.	LADDER RUNG	80830916	3 OR 4
	<u>BOLT BAG #41170</u>		1
4.	MACHINE SCREW (BOLT) 1/4" X 3 3/4"	SCM14334	8
5.	FLAT WASHER	FW14SAE	8
6.	CAP NUT 1/4"	CPN14	6 OR 8
7.	PLASTIC CAP	82831165	4
8.	MOUNTING TUBE	80830912	2
9.	CLEVIS PIN 3/8" X 2 1/4"	CLP38214	2
10.	SPRING CLIP for 3/8 CP#11	80831100	2
11.	MOUNTING PLATE	80830909	2
12.	MACHINE SCREW (BOLT) 5/16" X 5"	SCM5165	4
13.	FLANGE NUT 5/16"	FLN516	4
14.	INSTRUCTIONS	66831049A	1
15.	PLASTIC BAG 6X10	69660027	1

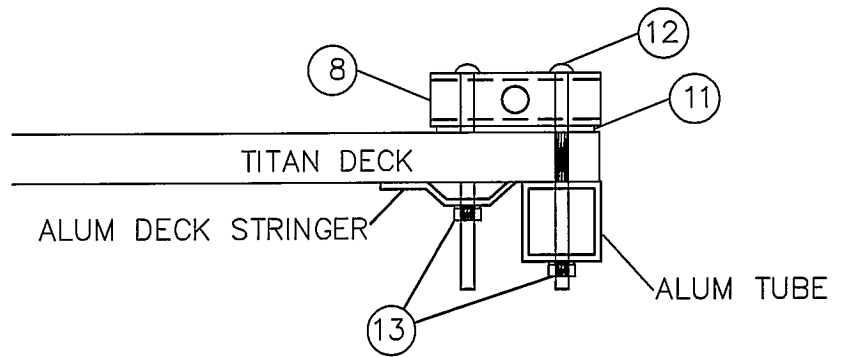


Fig. A ALUM TRUSS STYLE FRAME SHOWN

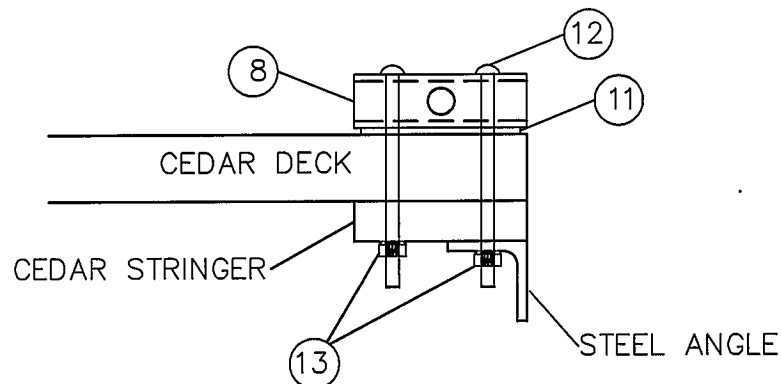


Fig. B STEEL TRUSS STYLE FRAME SHOWN

ASSEMBLY INSTRUCTIONS FOR 3 AND 4 RUNG ALUMINUM LADDER

1. Slide rungs (Key 3) into ladder side frames (Key 2) watching so holes line up.
2. Use $\frac{1}{4}$ x 3-3/4 machine screws/bolts (Key 4), flat washers (Key 5) and cap nuts (Key 6) to secure rungs to front of ladder. NOTE: Head of bolts to front of ladder, flat washers and cap nuts to rear (inside) of ladder. Tighten nuts.
3. Install plastic caps (Key 7) in bottom of side frame.

MOUNTING 3 OR 4 RUNG LADDER TO STEEL OR ALUMINUM TRUSS DOCK

1. Fasten mounting tube (Key 8) to mounting hole in ladder side frame with clevis pin (Key 9) and clip (Key 10). See diagram.
2. Set ladder in desired location. Check for obstructions on underside and reposition if required.
3. Using the mounting tube (Key 8) as a template, mark and drill $\frac{3}{8}$ " holes through decking and dock frame (aluminum tube or steel angle). The mounting hole closest to the outer edge of dock will go through the decking, stringer & dock frame materials. The other mounting hole will go through the decking & stringer material.
4. After drilling mounting holes, reposition ladder with mounting tubes attached. Place mounting plates between mounting tubes & decking material. Insert $\frac{5}{16}$ " x 5" machine screws/bolts (Key 12) & $\frac{5}{16}$ " flange nuts (Key 13) and tighten securely. See diagram.

MAINTENANCE

1. Whenever ladder is out of the water, routinely clean ladder rungs to reduce slipperiness.
2. The ladder is designed for easy removal and install. It should be removed when not in use for long periods. We recommend removing ladder before removing dock from water; this will help reduce chances of ladder being damaged due to ground clearance issues.
3. Annually inspect all nuts and bolts for deterioration and tightness. Replace and/or tighten if necessary.