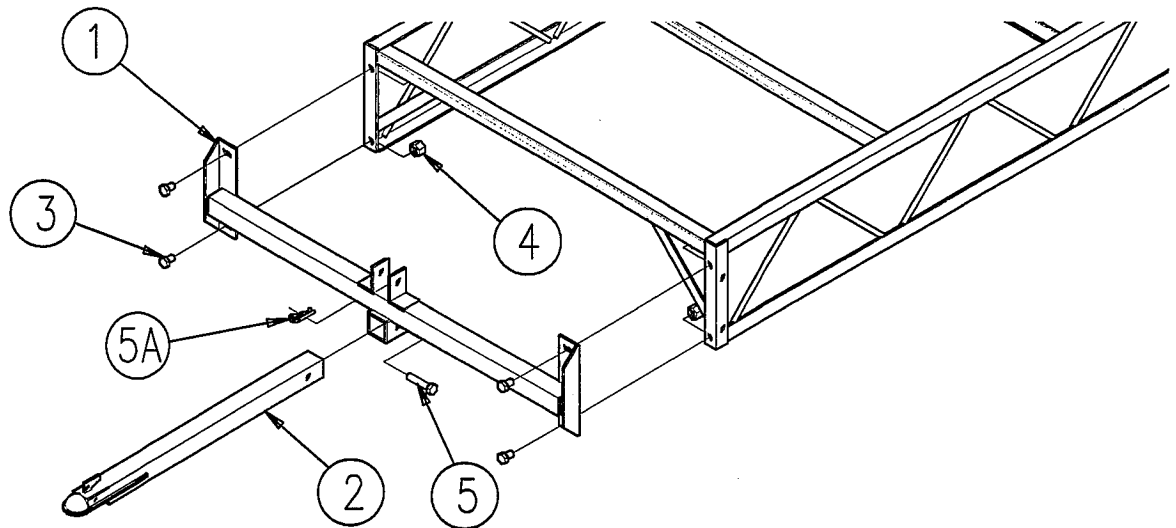


BOLT BAG #41131 (41100)

#1052 TOW BAR



955 INDUSTRIAL STREET N.E, PINE CITY, MN 55063
 320-629-6737 (OFFICE) • 320-629-3677 (FAX)
 www.dakadock.com



KEY#	DESCRIPTION	PART#	QUANTITY
1.	CROSS TUBE ASSEMBLY	44515	1
2.	HITCH TUBE ASSEMBLY (W/ 1-7/8" BALL HITCH COUPLER)	44505	2
<u>BOLT BAG</u>		41131	1
3.	HEX BOLT 1/2"x 1-1/2" ZINC	HB12112	4
4.	HEX NUT 1/2"-13 ZINC	HN12	4
5.	CLEVIS PIN 1/2"x 3-1/2"	CLP12312	1
5A.	HITCH PIN #11	80831100	1
6.	INSTRUCTIONS 1052	66881052	1
7.	PLASTIC BAG	69660027	1

ASSEMBLY INSTRUCTIONS

1. Mount cross tube assembly (key 1) to shore end section of DAKA dock using four 1-1/2" bolt/nut sets (KEY 3 & 4). Tighten securely.
2. Attach hitch tube assembly (key 2) to cross tube assembly using clevis pin and hitch pin (key 5 & 5A).

USE INSTRUCTIONS

The tow bar is designed to facilitate the movement of a DAKA dock in and out of the water. The hitch assembly is equipped with a 1-7/8" ball coupler. We recommend removing the entire tow bar when not in use, to prevent damage or injury.