

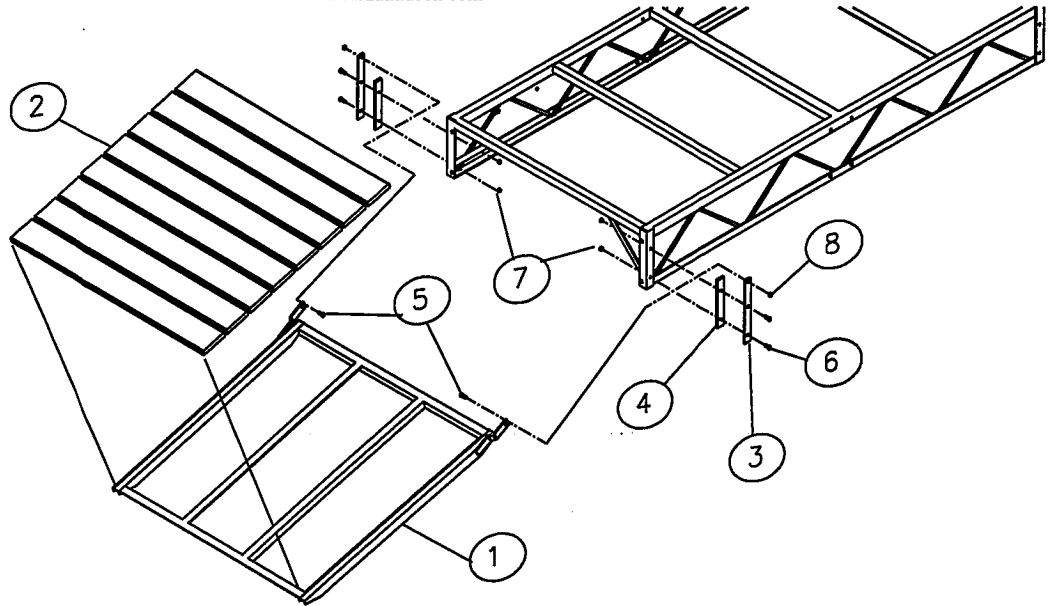
# BOLT BAG #41186

## ALUMINUM RAMP KIT 4' & 8'

### #1053CA/AA/TA 1054CA/AA/TA



955 INDUSTRIAL STREET N.E. PINE CITY, MINNESOTA 55083  
 320-629-8737 (OFFICE) • 320-629-3877 (FAX)  
 www.dakadock.com



NOTE: SHOWN WITH 4' RAMP

| KEY# | DESCRIPTION                             | PART #            | QUANTITY |
|------|---|-------------------|----------|
| 1    | FRAME ASSEMBLY – ALUMINUM 4' OR 8'      | 1053A/1054A       | 1        |
| 2    | DECKING—CEDAR/ALUM./TITAN               | 10480/10680/10580 | 1/2      |
|      | <b>BOLT BAG</b>                         | 41186             | 1        |
| 3    | HINGE PLATE – ALUMINUM                  | 80831006          | 2        |
| 4    | PLATE SPACER – ALUMINUM                 | 80830920          | 2        |
| 5    | HEX BOLT $\frac{3}{8}$ X1               | HB381             | 2        |
| 6    | HEX BOLT $\frac{3}{8}$ X1 $\frac{1}{2}$ | HB38112           | 4        |
| 7    | FLANGE NUT $\frac{3}{8}$                | FLN38             | 4        |
| 8    | LOCK NUT $\frac{3}{8}$                  | LN38              | 2        |
| 9    | INSTRUCTIONS                            | 66881054A         | 1        |
| 10   | PLASTIC BAG 5" x 18"                    | 69661054          | 1        |

#### ASSEMBLY INSTRUCTIONS

1. Mount spacer (key 4) and hinge plate (key 3) to side of dock section using  $\frac{3}{8}$ "X1 $\frac{1}{2}$ " bolts (key 6) and  $\frac{3}{8}$ " flange nuts (key 7).
2. Attach ramp frame assembly to hinge plate using  $\frac{3}{8}$ "x1" hex bolt (key 5) and  $\frac{3}{8}$ " lock nut (key 8). NOTE: make sure to run  $\frac{3}{8}$ "x1" hex bolt (key 5) so that  $\frac{3}{8}$ " lock nut (key 8) is on the outside of hinge plate.