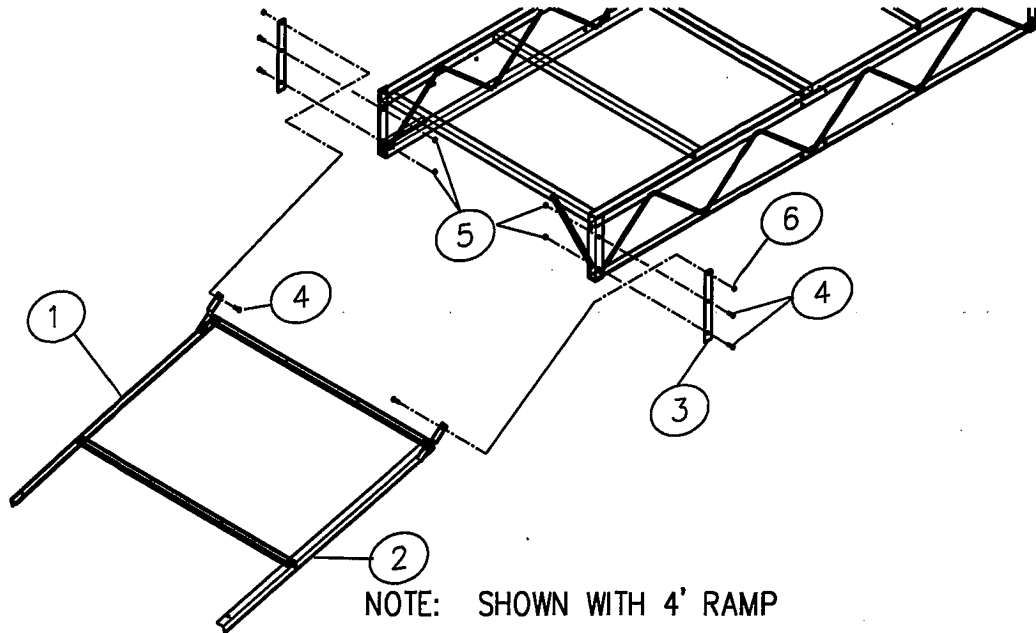


BOLT BAG #41181
GALVANIZED RAMP KIT 4' & 8'
#1053CG/TG 1054CG/TG



955 INDUSTRIAL STREET N.E. PINE CITY, MINNESOTA 55063
 320-629-6737 (OFFICE) • 320-629-3677 (FAX)
 www.dakadock.com



KEY#	DESCRIPTION	PART #	QUANTITY
1	DECKING	10480/10580	1/2
2	STEEL FRAME 4' OR 8'	(1053P/1053G) (1054P/1054G)	1
	BOLT BAG	41180(P)/41181(G)	1
3	HINGE PLATE	80830999/80831000	2
4	HEX BOLT 3/8" - 16 x 1"	HB381	6
5	FLANGE NUT 3/8"	FLN38	4
6	LOCK NUT 3/8" - 16	LN38	2
7	INSTRUCTIONS	66881053/1054	1
8	PLASTIC BAG 5" x 18"	69661054	1

ASSEMBLY INSTRUCTIONS

1. Mount hinge plate (key 3) to side of dock section using 4-3/8" X 1" bolts (key 4) and flange nuts (key 5).
2. Mount steel frame to hinge plate using 2-3/8" X 1" hex bolts (key 4), making sure that bolt is inserted so that 3/8" lock nut (key 6) is on outside of hinge plate tab.