

**BOLT BAG #41161**

**#1056CA/AA/TA**

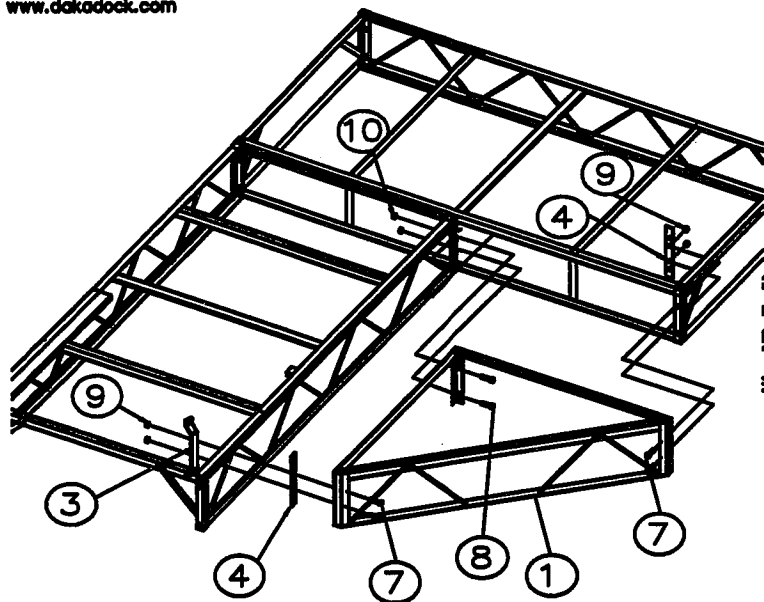
# ALUMINUM CORNER SECTION

**ALUMINUM CORNER SECTION**

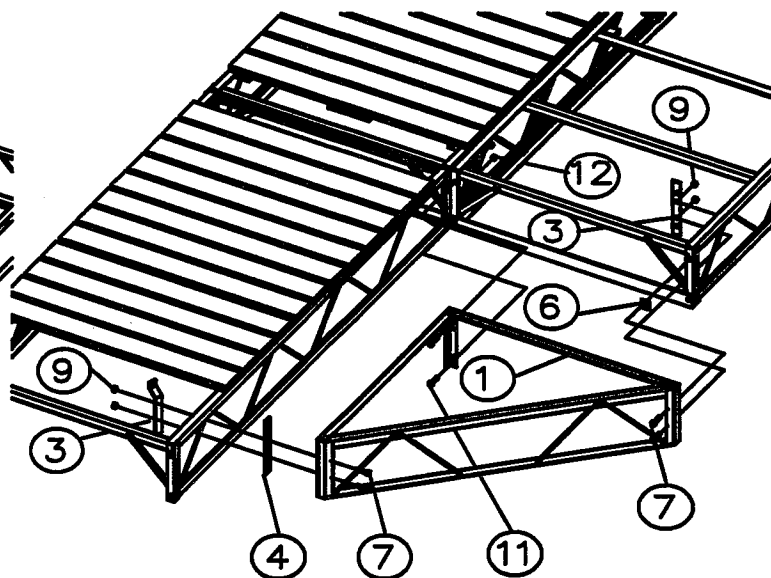
**1056CA/1056AA/1056TA**



955 INDUSTRIAL ST. N.E. PINE CITY, MN 55063  
OFFICE: 320-629-6737 FAX: 320-629-3677  
www.dakadock.com



**FIGURE A - L/T DOCK**  
**4' L X 8' W**



**FIGURE B - PLATFORM DOCK**  
**8' L X 8' W**

KEY#	DESCRIPTION	PART#	QUANTITY
1.	FRAME ASSEMBLY-ALUMINUM	1056A	1
2.	DECK PANEL (CEDAR/ALUM./TITAN)	1060/10690/10560	1
3.	MOUNTING PLATE FORMED	80837208	2
4.	MOUNTING PLATE FLAT	80837206	2
5.	NO. NOT USED		
6.	SPACER BLOCK (IF NEEDED ON PLATFORM DOCK ONLY)	80832010	1
	<b>BOLT BAG</b>	<b>41161</b>	
7.	HEX BOLT 1/2"X2" THREAD TO HEAD	HBTH122	4
8.	HEX BOLT 5/16"X1 1/4"	HB516114	2
9.	HEX NUT 1/2"	HN12	4
10.	HEX NUT 5/16"	HN516	2
11.	HEX BOLT 1/2" X 1 1/2" (EXISTING)	HB12112	2
12.	HEX NUT 1/2" (EXISTING)	HN12	2
13.	INSTRUCTIONS	66881056A	1
14.	PLASTIC BAG	69680010	1

# ASSEMBLY INSTRUCTIONS - ALUMINUM CORNER SECTION

1. Corner section installations should be done after dock frame has been fully assembled.
2. If installing corner section on "L/T" type dock, reference Figure A. "L/T" type dock is 4' long x 8' wide.
3. If installing corner section on "platform" type, reference Figure B. "Platform" type dock is 8' long x 8' wide.
4. Hold frame assembly and bolt inside corner first. When installing on "L/T" type dock, reference figure A, use the two  $\frac{5}{16}$ " x  $1\frac{1}{4}$ " hex bolts (key 8) with the two  $\frac{5}{16}$ " flange nuts (key 10) to secure the inside corner. When installing on "Platform" type dock, reference figure B. First you must remove the two existing  $\frac{1}{2}$ " x  $1\frac{1}{2}$ " hex bolts (key 11) from the inside corner. These two  $\frac{1}{2}$ " x  $1\frac{1}{2}$ " hex bolts (key 11) are then re-installed through corner section frame assembly to secure inside corner of the frame assembly.
5. Next, secure the outside corners using four  $\frac{1}{2}$ " x 2" hex bolts (key 7) and four  $\frac{1}{2}$ " hex nuts (key 9). Note the use of the mounting plate (key 4) in between the corner frame (key 1) and the standard dock frame. Also, note the use of the Spacer Block (key 6) when mounting corner frame (key 1) to Platform type dock only. (refer Fig B). Make sure to use the formed Plate (key 3) in correct location.