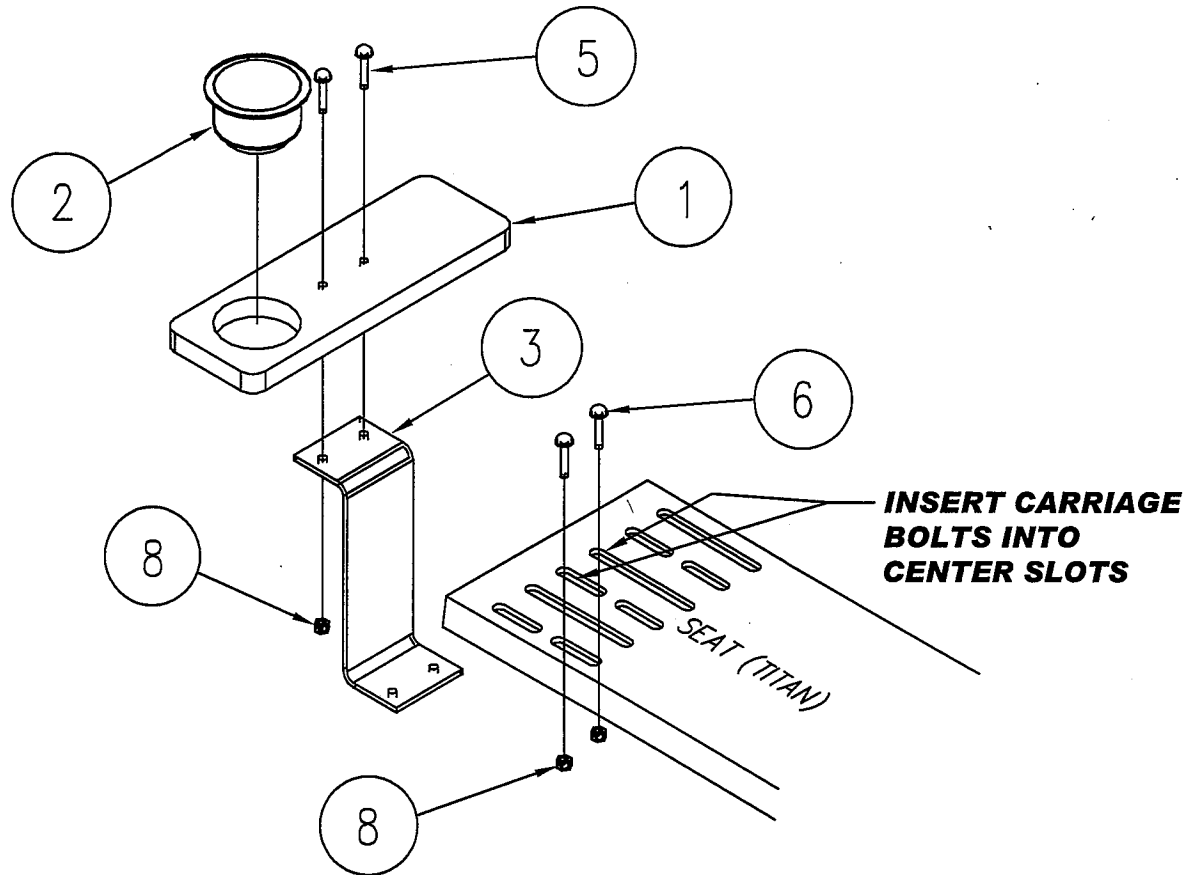


BOLT BAG #41184 #1057DA (PAIR) PLASTIC ARM REST/ CUP HOLDER



955 INDUSTRIAL ST. N.E., PINE CITY, MN 55063
OFFICE: 320-629-6737 FAX: 320-629-3677
www.dakadock.com



KEY#	DESCRIPTION	PART#	QUANTITY
1.	ARM REST BOARD – PLASTIC	81004005	2
2.	PLASTIC CUP HOLDER	80832030	2
3.	ARM REST RISER BRACKET – ALUM.	80832020	2
4.	PLASTIC BAG 12X26X6 MIL BOLT BAG	69661057 41184	1 1
5.	CARRIAGE BOLT $\frac{5}{16}$ X1	CB5161	4
6.	CARRIAGE BOLTS $\frac{5}{16}$ X $1\frac{3}{4}$	CB516134	4
7.	# – NOT USED	–	–
8.	FLANGE NUTS $\frac{5}{16}$ "	FLN516	8
9.	INSTRUCTIONS	6681057D	1
10.	PLASTIC BAG 4X6X3MIL	69680005	1



ASSEMBLY INSTRUCTIONS – PLASTIC ARM REST (1057DA)

1. With the bench seat plank mounted to the bench frame, mount the arm rest riser bracket to seat plank using two (2) 5/16 x 1-3/4" carriage bolts (Key 6) and two (2) 5/16" flange nuts (Key 8). **NOTE:** Center bracket on seat plank. Riser bracket goes under seat plank and carriage bolts are inserted through slots in plank from top down, with nuts under bracket. Hold inside corner of riser bracket tight against seat plank when mounting center bracket on plank.
2. Mount arm rest board (Key 1) to arm rest bracket (Key 3) using two (2) 5/16" x 1" carriage bolts (Key 5) and two (2) 5/16" flange nuts (Key 8).
3. Insert plastic cup holder (Key 2) in arm rest board.