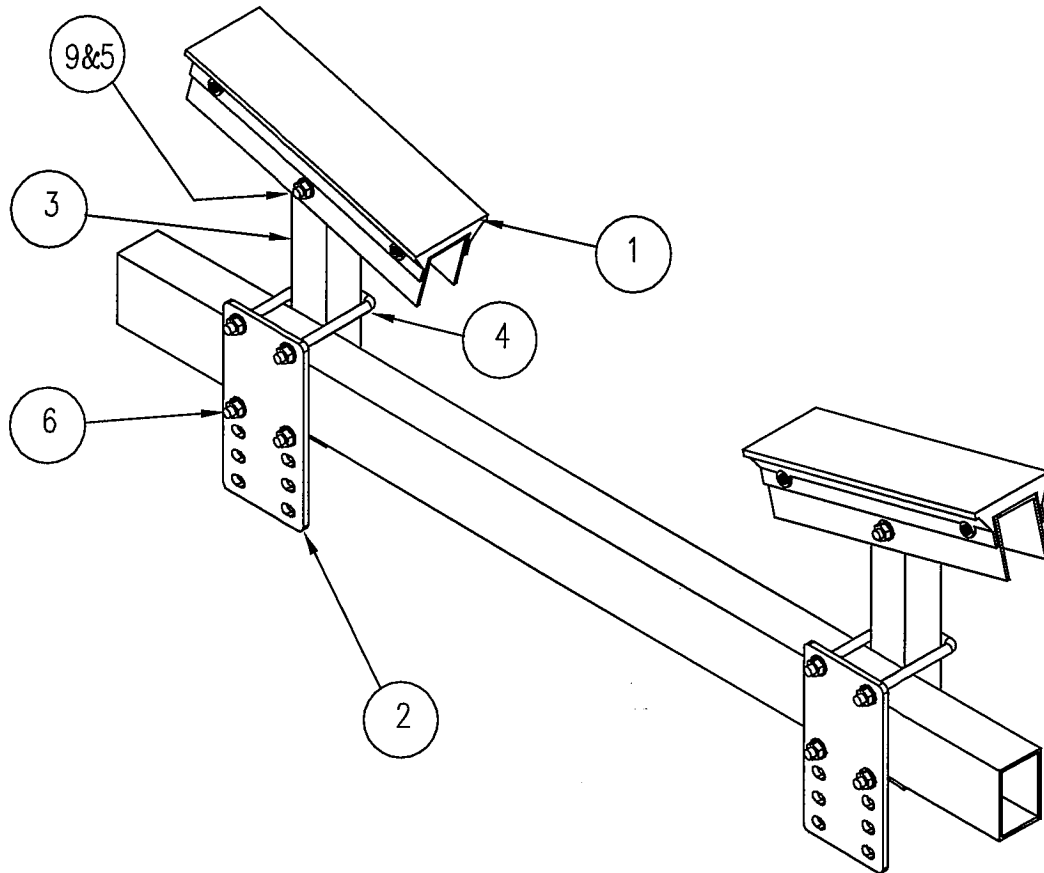


BOLT BAG #41201 #2010 (1 PAIR) STANDARD VINYL BUNK



985 INDUSTRIAL ST. N.E. PINE CITY, MN 55083
OFFICE: 320-629-6737 FAX: 320-629-3677
www.dakadock.com



KEY#	DESCRIPTION	PART#	QUANTITY
1.	ALUM CHANNEL w/ VINYL	83832060	2
2.	ALUM MOUNTING PLATE 1/4X4X0'-8	83832061	2
3.	ALUM TUBE 1 3/4X1 3/4X1/8X1'-3 3/4	83832062	2
4.	U BOLT 3/8X2 1/8X4 3/8	UB382438S	4
5.	HEX BOLT 3/8X2 1/2	HB38212	2
6.	FLANGE NUTS 3/8	FLN38	8
7.	INSTRUCTIONS FOR STANDARD VINYL BUNK #2010	66882010	1
8.	PLASTIC BAG 12X26X6MIL	69661057	1
9.	NYLOCK NUTS 3/8	LN38	2
10.	PLASTIC BAG 6X10X6MIL	69660027	1