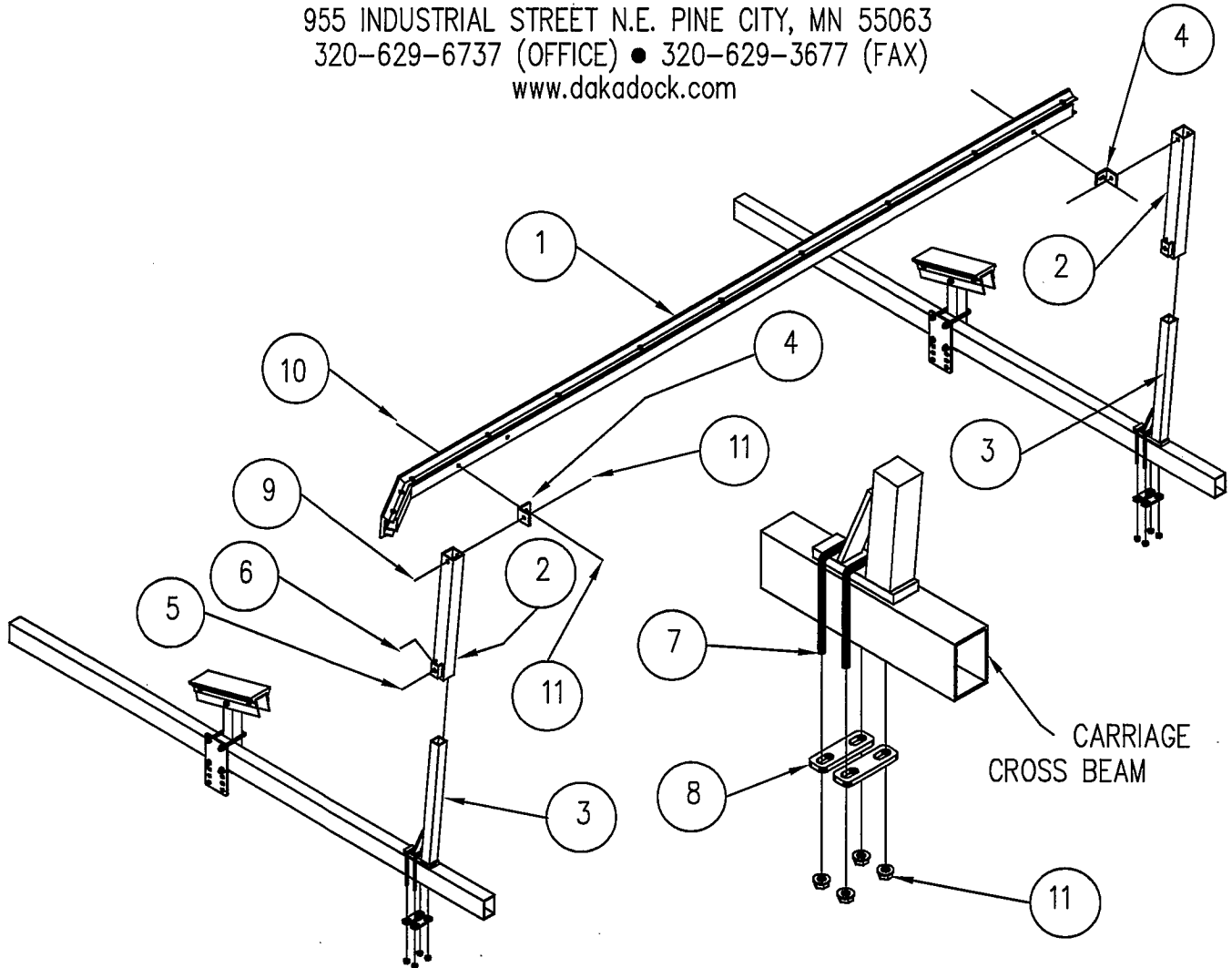


**HARDWARE #2072BBCL / BOLT BAG 42073**  
**#2072 FIL GUIDE ONS - AIV**  
**KD VERTICAL LIFTS & CANTILEVER LIFTS**



955 INDUSTRIAL STREET N.E. PINE CITY, MN 55063  
 320-629-6737 (OFFICE) • 320-629-3677 (FAX)  
 www.dakadock.com



KEY#	DESCRIPTION	PART#	QUANTITY
1.	GUIDE ONS FULL LENGTH ALUM/VINYL FULLY ADJUSTABLE	2072AV	2
2.	GUIDE ON UPPER BRACKET ASSEMBLY	2072UBKT	4
3.	GUIDE ON LOWER BRACKET ASSEMBLY	2072LBKT	4
4.	ALUMINUM CLIP ANGLE 2X2X1/4X0'-1 3/4	20722202	4
5.	HEX BOLT 1/2X1 1/2	HB12112	4
6.	SQUARE NUT FOR 1/2" BOLT	NS12	4
7.	U BOLT 3/8X2 1/8X7 1/2	UB38218712S	8
8.	ALUMINUM MOUNTING PLATE 1/4X1X0'-3/4	83842018	8
9.	HEX BOLT 3/8X2 3/4	HB38234	4
10.	PHILLIPS TRUSS HEAD BOLT 3/8X2 1/4	SCM38214	4
11.	FLANGE NUTS 3/8	FLN38	24
12.	INSTRUCTIONS		1
13.	PLASTIC BAG 18X36X6MIL ( HARDWARE )	69661836	1
14.	PLASTIC BAG 6X10X6MIL ( BOLTS )	69660027	1



**#2072 F/L GUIDE ONS – A/V  
KD VERTICAL LIFT & CANTILEVER LIFT**

1. Attach the lower bracket assemblies (Key 3) to the front and rear carriage cross beams using 2 u-bolts (Key 7), 2 mounting plates (Key 8) and 4 flange nuts 3/8" (Key 11) per bracket.
2. Attach the aluminum clip angles (Key 4) to the upper bracket assemblies (Key 2) using 1 hex bolt 3/8" x 2 3/4" (Key 9) and 1 flange nut 3/8" (Key 11) per bracket. Once the aluminum clip angles (Key 4) have been attached to the upper bracket assembly (Key 2), place the upper bracket assembly (Key 2) over the lower bracket assembly (Key 3). Insert one 1/2" square nut (Key 6) and one 1/2" x 1 1/2" bolt (Key 5) into nut cage on each upper bracket assembly (Key 2).
3. Secure the Alum/Vinyl Guide Ons (Key 1) to the aluminum clip angles (Key 4) using two phillips truss head bolts 3/8" x 2 1/4" (Key 10) per side.
4. Measure your boat's maximum width and approximate height and adjust Guide Ons accordingly.

**NOTE: IMPORTANT – Completely raise and lower lift carriage to make sure that there is proper clearance between the outside edge of the guide on assembly, the lift winch and lift components.**