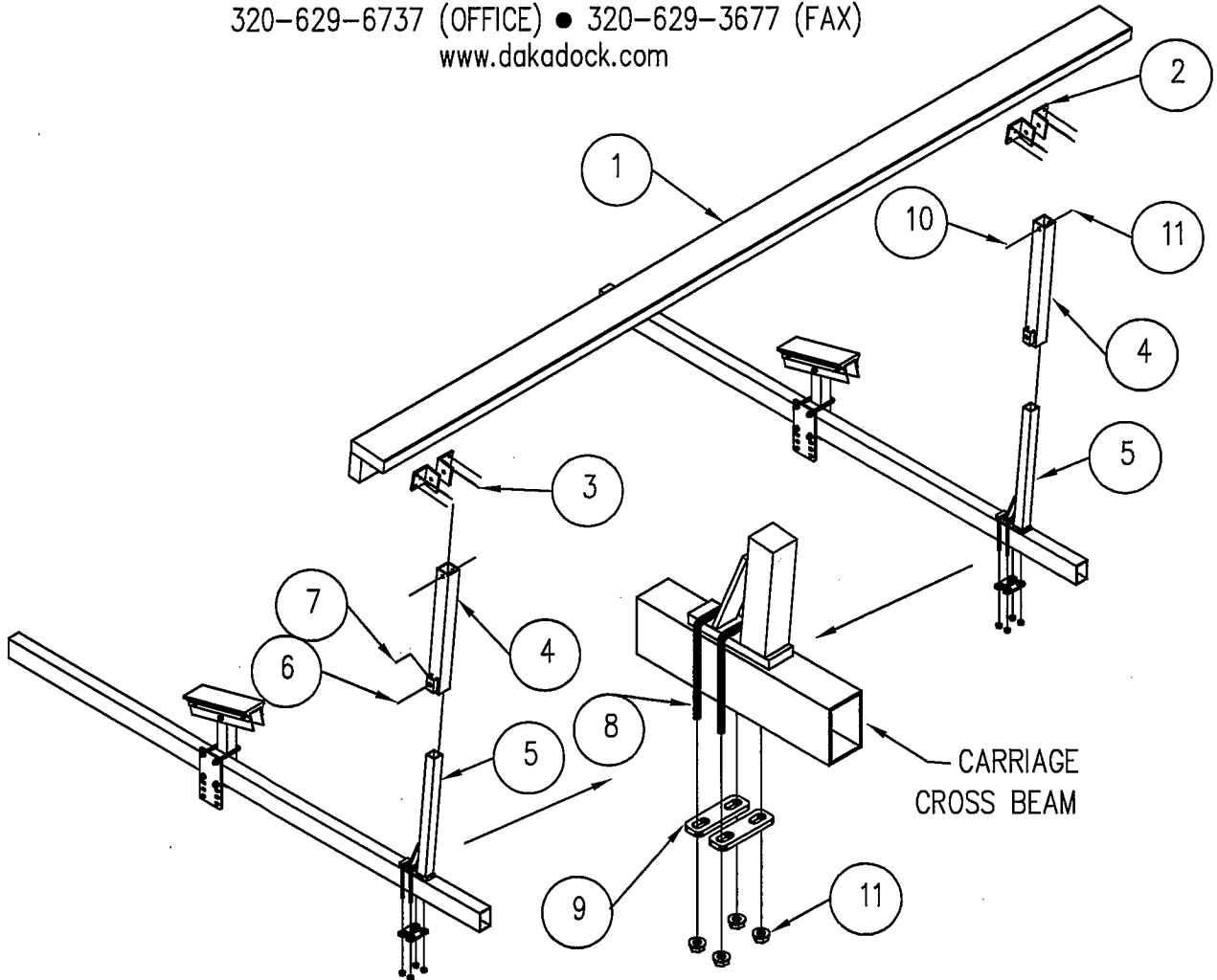


HARDWARE #2072BWCC | BOLT BAG #42074
#2072WC FIL GUIDE ONS - WIC
KD VERTICAL LIFTS & CANTILEVER LIFTS



955 INDUSTRIAL STREET N.E. PINE CITY, MN 55063
 320-629-6737 (OFFICE) • 320-629-3677 (FAX)
 www.dakadock.com



KEY#	DESCRIPTION	PART#	QUANTITY
1.	GUIDE ONS FULL LENGTH WOOD/CARPET	2072WCBK	2
2.	ALUMINUM CLIP ANGLE 2X2X1/4X0'-3	20722123	8
3.	HEX WASHER HEAD TAPPING SCREW #14X1 1/2	SCT#14112	16
4.	UPPER BRACKET ASSEMBLY	2072UBKT	4
5.	LOWER BRACKET ASSEMBLY	2072LBKT	4
6.	HEX BOLT 1/2X1 1/2	HB12112	4
7.	SQUARE NUT FOR 1/2" BOLT	NS12	4
8.	U BOLT 3/8X2 1/8X7 1/2	UB38218712S	8
9.	MOUNTING PLATE 1/4X1X0'-3 1/4	83842018	8
10.	HEX BOLT 3/8X3	HB383	4
11.	FLANGE NUT 3/8	FLN38	20
12.	INSTRUCTIONS		1
13.	PLASTIC BAG 18X36X6MIL (HARDWARE)	69661836	1
14.	PLASTIC BAG 6X10X6MIL (BOLTS)	69660027	1



**#2072WC F/L GUIDE ONS – WC
KD VERTICAL LIFT & CANTILEVER LIFT**

1. Attach the lower bracket assemblies (Key 5) to the front and rear carriage cross beams using 2 u-bolts (Key 8), 2 mounting plates (Key 9) and 4 flange nuts 3/8" (Key 11) per bracket.
2. Attach the aluminum clip angles (Key 2) to the upper bracket assemblies (Key 4) using 1 hex bolt 3/8" x 3" (Key 10) and 1 flange nut 3/8" (Key 11) per bracket. Once the aluminum clip angles (Key 2) have been attached to the upper bracket assembly (Key 4), place the upper bracket assembly (Key 4) over the lower bracket assembly (Key 5). Insert one 1/2" square nut (Key 7) and one 1/2" x 1 1/2" bolt (Key 6) into nut cage on each upper bracket assembly (Key 4).
3. To secure the carpeted Guide Ons (Key 1) to the aluminum clip angles (Key 2) use eight #14 x 1 1/2" sheet metal screws (Key 3). Lay the carpeted Guide Ons (Key 1) on top of the bracket assemblies with approximately 12" of the carpeted Guide Ons extending out past the rear bracket assembly. Make sure to fasten the aluminum clip angles to the inner carpeted 2" x 4", not the top carpeted 2" x 4".
4. Measure your boat's maximum width and approximate height and adjust Guide Ons accordingly.

Note: IMPORTANT – Completely raise and lower lift carriage to make sure that there is proper clearance between the outside edge of the guide on assembly, the lift winch and lift components.